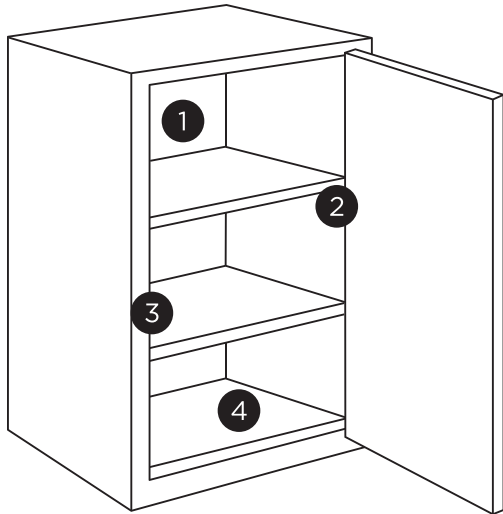
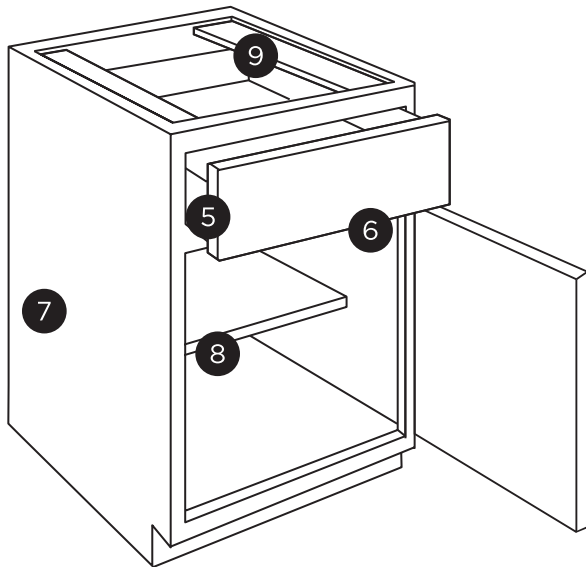


QUALITY ABOVE

We strive to deliver beyond your expectations. That's why popular features like all-plywood construction and soft-close come standard with every Mantra cabinet.



- ① 1/2" Plywood ends, 3/8" top, back, and bottom
- ② Soft-closing, 6-way adjustable hinges
- ③ 3/4" Hardwood frame, doors and drawer fronts
- ④ Natural interior



- ⑤ 5/8" Solid wood dovetail drawer box
- ⑥ Soft-closing, under-mount, full-extension drawer guides
- ⑦ Matching exterior
- ⑧ 3/4" Natural plywood adjustable shelves
- ⑨ 3/4" Plywood I-beam braces

MANTRA™

mantracabinets.com



Part of the
MasterBrand®
Family

Styles, product availability and construction may vary slightly from those shown due to material availability and/or design evolution. Specifications are subject to change without notice. Our customer service team is available if your design requires verification of product availability and specifications. Supersedes all prior versions.